

SEWAGE PUMPS

Model: SWS50V-10



Features

- Heavy duty cast iron construction
- Oil-filled continuous duty PSC motor (1Ph)
- Semi-open plastic impeller
- 2" solids handling

Specifications

Physical Data:

DISCHARGE SIZE	2" N.P.T.
IMPELLER TYPE	Vortex - Plastic
CABLE LENGTH	10'

Liquid Handling:

SOLIDS SIZE	2"
MAXIMUM LIQUID TEMP.	104°F – Intermittent
ACCEPTABLE PH RANGE	6-8

Technical Data:

MOTOR HOUSING	Cast Iron
CASING	Cast Iron
IMPELLER	Plastic
MOTOR SHAFT	SS430
HARDWARE	SST
"O" RINGS	NBR
SEALS	Single Mechanical, Carbon Ceramic
UPPER BEARING	Power Metallurgy
LOWER BEARING	6201

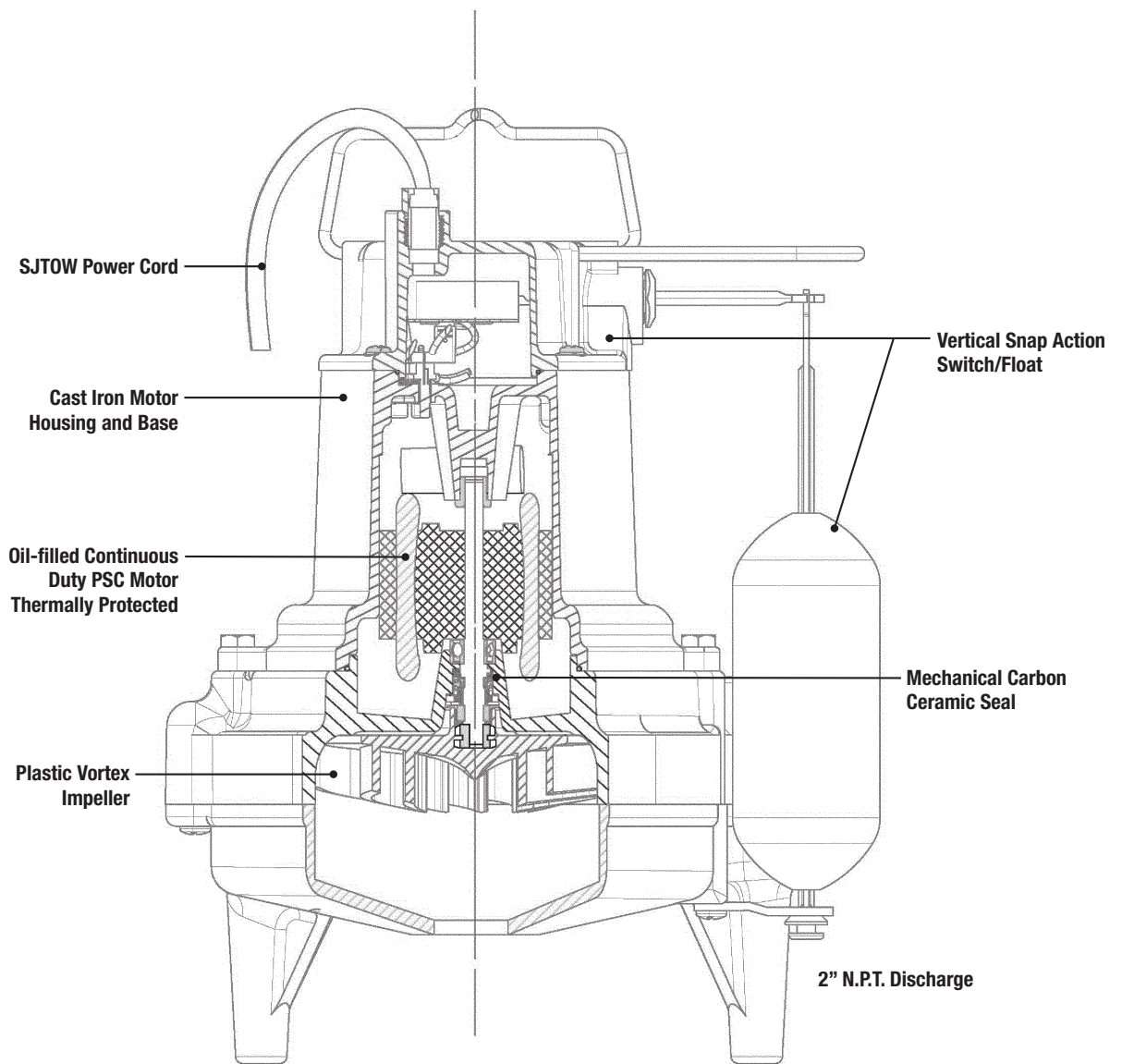
Electrical Data:

R.P.M.	1750
MOTOR TYPE	PSC/Induction
GEN INSULATION CLASS	B
STATOR WINDING CLASS	B
MAXIMUM STATOR TEMP	130°C
VOLTAGE TOLERANCE	±10%
MOTOR PROTECTION	Thermally Protected
HP	1/2 HP
VOLTAGE	115
PHASE	1
SERVICE FACTOR	1

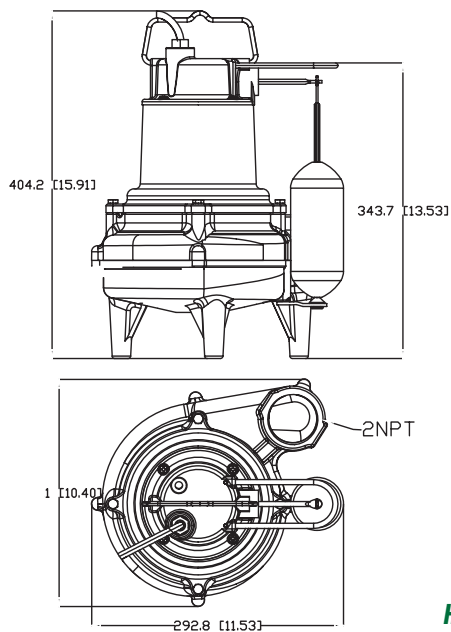
Specifications

Model	HP	Hz	Volts/Ph	RPM	Full Load Amps	Nema Start Code	Cord Type	Cord Power Size	Cord O.D.
SWS50V-10	1/2	60	115/1	1750	9.4	P	SOW	18AWG/3C	.325-.360

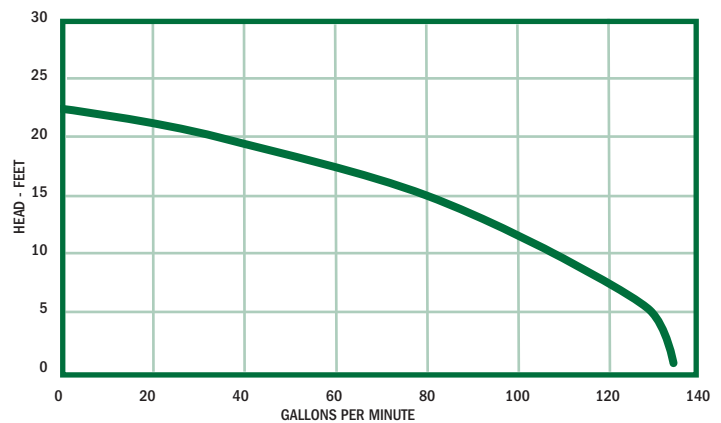
Features



Dimensions



Performance Curve



Ashland

P U M P

Honest, Professional, Dependable

1899 Cottage Street, Ashland, Ohio 44805

Telephone: 855 281-6830 • Fax: 877 326-1994 • ashlandpump.com